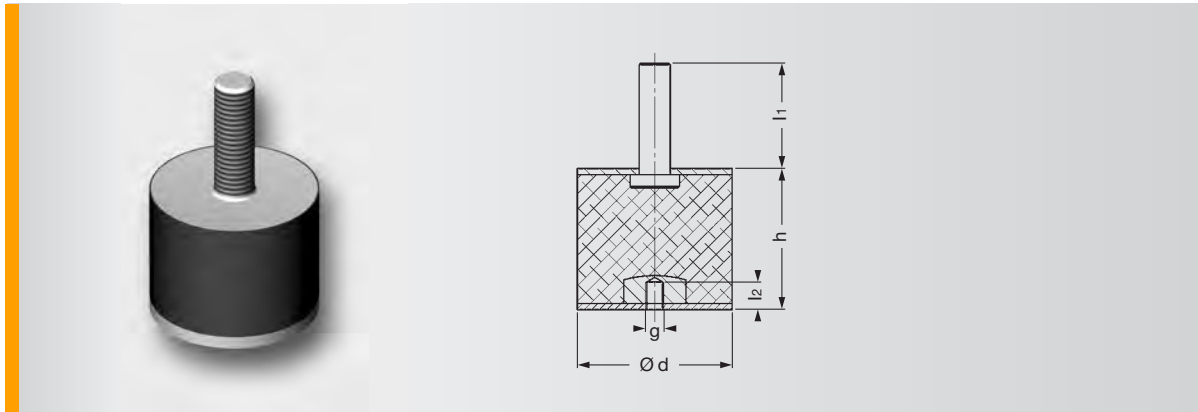


SCHWINGMETALL® Compression Mounts



Compression Mounts B Type 25326/B - 25356/B

| Mould No. | Part No. | Dimensions | | | | | Spring Stiffness | | | Max. Loads | | | Mass Piece [kg] | Elastomer Hardness [Shore A] |
|-----------|------------|------------|-----------|------------|------------|----|--------------------------|--------------------------|--------------------------|-----------------------|-----------------------|-----------------------|-----------------------|------------------------------------|
| | | d [mm] | h [mm] | l1 [mm] | l2 [mm] | g | C _x [N/mm] | C _y [N/mm] | C _z [N/mm] | F _x [N] | F _y [N] | F _z [N] | | |
| 25326/B | 3912404000 | 15 | 15 | 13.0 | 4.5 | M4 | 7 | 7 | 41 | 35 | 35 | 90 | 0.007 | 40 |
| 25326/B | 3912204000 | 15 | 15 | 13.0 | 4.5 | M4 | 12 | 12 | 77 | 40 | 40 | 125 | 0.007 | 55 |
| 25326/B | 3912104000 | 15 | 15 | 13.0 | 4.5 | M4 | 19 | 19 | 120 | 43 | 43 | 160 | 0.007 | 65 |
| 25259/B | 3912405000 | 15 | 30 | 16.0 | 4.5 | M4 | 1 | 1 | 13 | 34 | 34 | 90 | 0.010 | 40 |
| 25259/B | 3912205000 | 15 | 30 | 16.0 | 4.5 | M4 | 3 | 3 | 26 | 36 | 36 | 125 | 0.010 | 55 |
| 25259/B | 3912105000 | 15 | 30 | 16.0 | 4.5 | M4 | 4 | 4 | 41 | 37 | 37 | 160 | 0.010 | 65 |
| 31658/B | 3912406000 | 20 | 25 | 19.0 | 6.0 | M6 | 7 | 7 | 39 | 60 | 60 | 150 | 0.021 | 40 |
| 31658/B | 3912206000 | 20 | 25 | 19.0 | 6.0 | M6 | 12 | 12 | 73 | 65 | 65 | 180 | 0.021 | 55 |
| 31658/B | 3912106000 | 20 | 25 | 19.0 | 6.0 | M6 | 19 | 19 | 114 | 70 | 70 | 225 | 0.021 | 65 |
| 20292a/B | 3912408000 | 25 | 15 | 18.5 | 6.0 | M6 | 42 | 42 | 250 | 100 | 100 | 250 | 0.023 | 40 |
| 20292a/B | 3912208000 | 25 | 15 | 18.5 | 6.0 | M6 | 80 | 80 | 445 | 110 | 110 | 400 | 0.023 | 55 |
| 20292a/B | 3912108000 | 25 | 15 | 18.5 | 6.0 | M6 | 125 | 125 | 676 | 120 | 120 | 500 | 0.023 | 65 |
| 20292/B | 3912410000 | 25 | 20 | 18.5 | 6.0 | M6 | 18 | 18 | 74 | 100 | 100 | 250 | 0.025 | 40 |
| 20292/B | 3912210000 | 25 | 20 | 18.5 | 6.0 | M6 | 34 | 34 | 141 | 110 | 110 | 350 | 0.025 | 55 |
| 20292/B | 3912110000 | 25 | 20 | 18.5 | 6.0 | M6 | 53 | 53 | 220 | 120 | 120 | 450 | 0.025 | 65 |
| 21239/B | 3912411000 | 25 | 30 | 18.5 | 6.0 | M6 | 9 | 9 | 37 | 100 | 100 | 250 | 0.031 | 40 |
| 21239/B | 3912211000 | 25 | 30 | 18.5 | 6.0 | M6 | 16 | 16 | 72 | 110 | 110 | 300 | 0.031 | 55 |
| 21239/B | 3912111000 | 25 | 30 | 18.5 | 6.0 | M6 | 24 | 24 | 113 | 120 | 120 | 400 | 0.031 | 65 |
| 25356/B | 3912412000 | 30 | 20 | 20.5 | 7.0 | M8 | 24 | 24 | 112 | 150 | 150 | 350 | 0.045 | 40 |
| 25356/B | 3912212000 | 30 | 20 | 20.5 | 7.0 | M8 | 43 | 43 | 212 | 160 | 160 | 500 | 0.045 | 55 |
| 25356/B | 3912112000 | 30 | 20 | 20.5 | 7.0 | M8 | 67 | 67 | 330 | 170 | 170 | 600 | 0.045 | 65 |