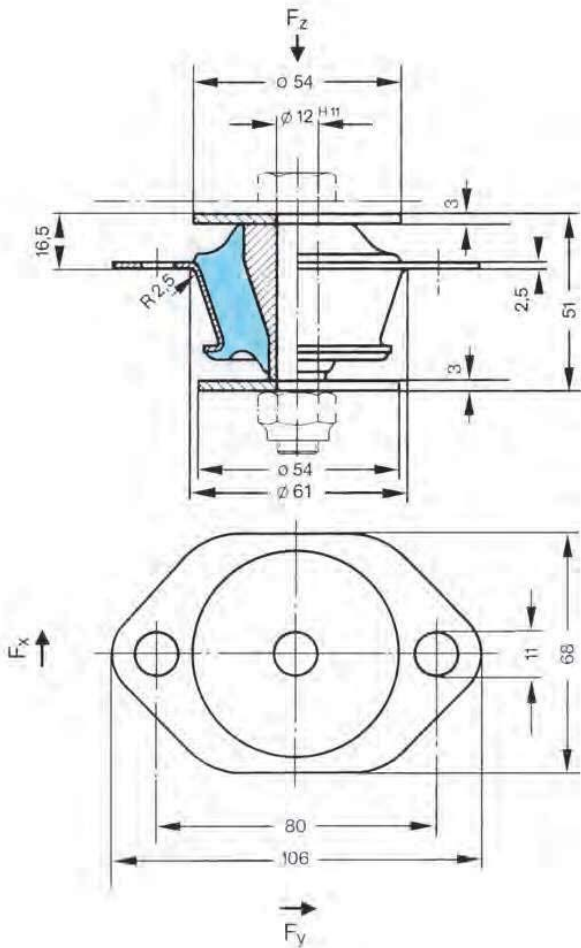
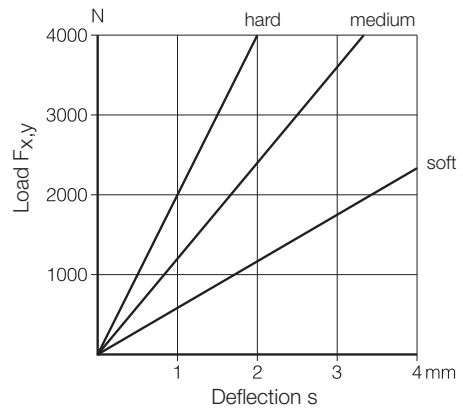
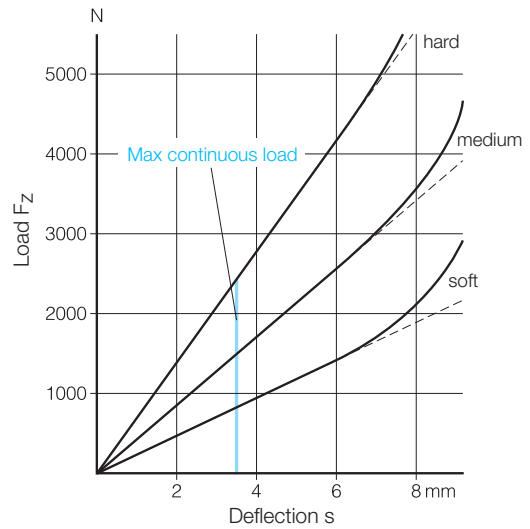


MEGI®-Cones

Megi cone
 Part No. 786 025
 Versions:
 hard, medium, soft



Other dimensions and materials are available on request



Max. tension force of central threaded mount on inner section of cone
 $F_v = 40$ kN.