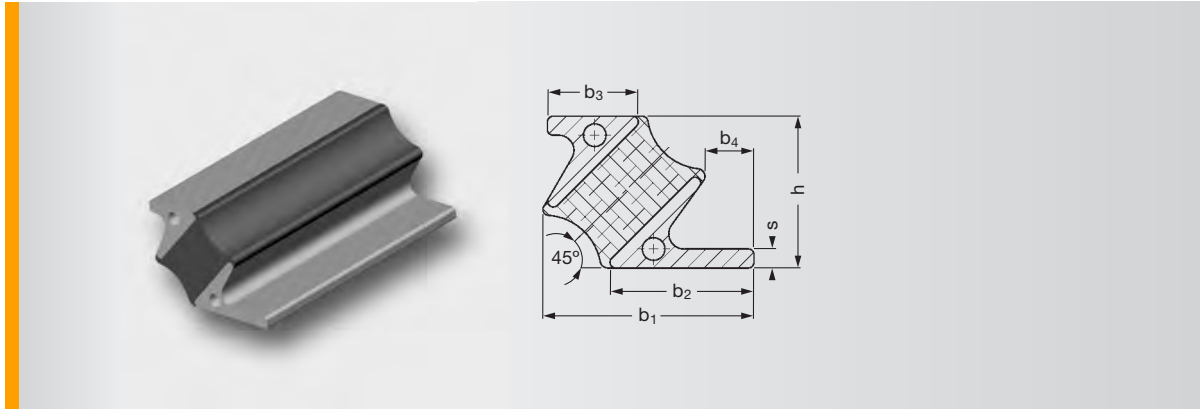


SCHWINGMETALL® Angled Mounts



Angled Mounts 38537 - 38540

Mould No.	Part No.	Dimensions							Spring Stiffness		
		b ₁ [mm]	b ₂ [mm]	b ₃ [mm]	b ₄ [mm]	h [mm]	Length [mm]	s [mm]	C _x [N/mm]	C _y [N/mm]	C _z [N/mm]
38537	■	108	76	48	28	80	75	10	215	86	215
38538	3978702000	108	76	48	28	80	200	10	895	307	895
38539	■	144	105	67	38	106	75	15	320	103	320
38540	3978704000	144	105	67	38	106	200	15	1200	315	1200

Mould No.	Part No.	Max. Loads			Mass	Elastomer	
		F _x [N]	F _y [N]	F _z [N]	Piece [kg]	Type	Hardness [Shore A]
38537	■	2500	860	2500	1.56	CR	55
38538	3978702000	600	3070	600	4.31	CR	55
38539	■	3000	1200	3000	2.87	CR	55
38540	3978704000	9000	3500	9000	8.05	CR	55

■ made-to-order item

- **SCHWINGMETALL®-angled railstrips delivered as standard item made of elastomer material on the basis of chloroprene rubber.**